



**Fixed Mount
Barcode Scanner
F40-N1**

Feature

- **Core Technology**
Adopt the self-developed core decoding technology, with excellent decoding capabilities for 1D/2D.
- **Snappy On-Screen Barcode Capture**
The engine excels at reading on-screen barcodes even when the screen is covered with protective film or set to its lowest brightness level.
- **Multiple Interfaces**
To provide USB or TTL-232 or RS-232 (need customization) interface, to meet different interface requests.
- **Outstanding Power Efficiency**
The advanced technology incorporated in the scan engine helps reduce its power consumption and prolong its service life.

Scenarios

Self-service kiosks used in e-commerce, express delivery services, access control, mobile payment, events ticket redemption, gaming cash outs, postal services, transport boarding passes, parking ticket machines.

F40-N1/Fixed Mount Barcode Scanner

Performance	Image Sensor		640*480 CMOS	
	Illumination focus		White LED	
			Red 625nm	
	Symbologies	2D		PDF417、QR Code (QR1/2, Micro)、Data Matrix (ECC200, ECC000, 050, 080, 100, 140)
		1D		Code128, UCC/EAN-128, AIM128, EAN-8, EAN-13, ISBN/ISSN, UPC-E, UPC-A, Interleaved 2 of 5, ITF-6, ITF-4, Standard 25, Codabar, Industrial 25, Code39, Code 93, Code 11, Plessey, MSI-Plessey, GS1-DataBarTM(RSS) (RSS-14、RSS-Limited、RSS-Expand), Matrix 2 of 5
	Scanning Precision*		≥3mil	
	Scanning depth of field*	EAN13 (13mil)		60-350mm(Typical)
		PDF417 (6.7mil)		50-125mm
		Code39 (5mil)		40-150mm
		Data Matrix (10mil)		45-120mm
		QR Code (15mil)		30-170mm
	Symbol contrast*			≥20% (Code 128)
	Scanning sensitivity**			Pitch: ±60°; Roll: 360°; Skew: ±60°
Mechanic/electrical	Communication		USB、TTL232、RS232(Optional)	
	Size(mm)		41.4(W)×50.0(D)×22.2(H) (max)	
	Weight		70g	
	Operating Voltage		5.0 VDC±5%	
	Current	Operating		116mA
		Standby		7mA
Environmental	Operating Temperature		-20℃~+55℃	
	Storage Temperature		-40℃~+70℃	
	Humidity		5%~95% (No condensing)	
	Lightness		0~100,000LUX	
Certifications			FCC Part15 Class B,CE EMC Class B, RoHS2.0, IEC62471	
Accessories	Development board		Development board has trigger key and beeper with RS-232 and USB output.	
	Data cable	USB	USB cable connects development board and information receiving host	

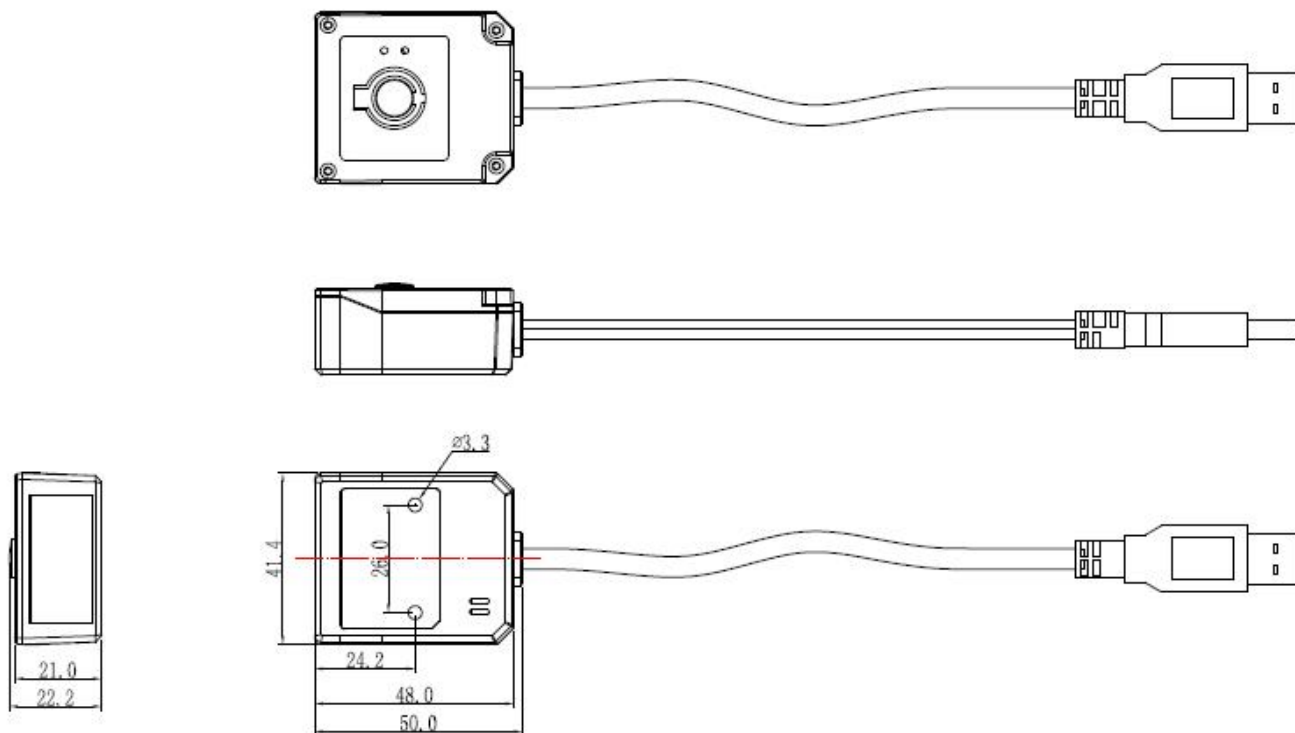
Testing distance=(minimum depth of field + maximum depth of field)/2; environment temperature=23℃; environment illumination=300 LUX white bulb LED, 2D: QR CODE; 10 Bytes; minimum width of barcode's empty space =15 mil; PCS=0.8;

*Specification changes without previous notification

V1.0

Size

Unit: mm



Contact:

Shenzhen Edoo-IoT Technology Co., Ltd.

Tel: +86-135-3782-5290(WeChat)

Website: www.edoo-iot.com

Add: Room 302, Bldg U6, U8 Intelligent Manufacturing Park, Hancheng Blvd, Gushu, Xixiang, Bao'an District, Shenzhen

