



**Fixed Mount  
Barcode Scanner  
F41-ER**

## Product Feature

- **Own Core Technology**

To adopt the self-developed core decoding technology, can read various low quality barcode

- **Long-distance CodeReading Field of Depth**

As for Code128(20mil), field of depth reaches 80cm, as for Code128(40mil), reaches 1.4m.

- **Clear Laser Aiming**

To meet the requirement of long-distance code reading, clear laser aiming with red cross, it's suitable for outdoor application too.

- **Compatibilities with Multiple Systems**

Be paired with Windows, Android, Linux System

## Scenarios

Self-service kiosks used in e-commerce, express delivery services, access control, mobile payment, events ticket redemption, gaming cash outs, postal services, transport boarding passes, parking ticket machines,

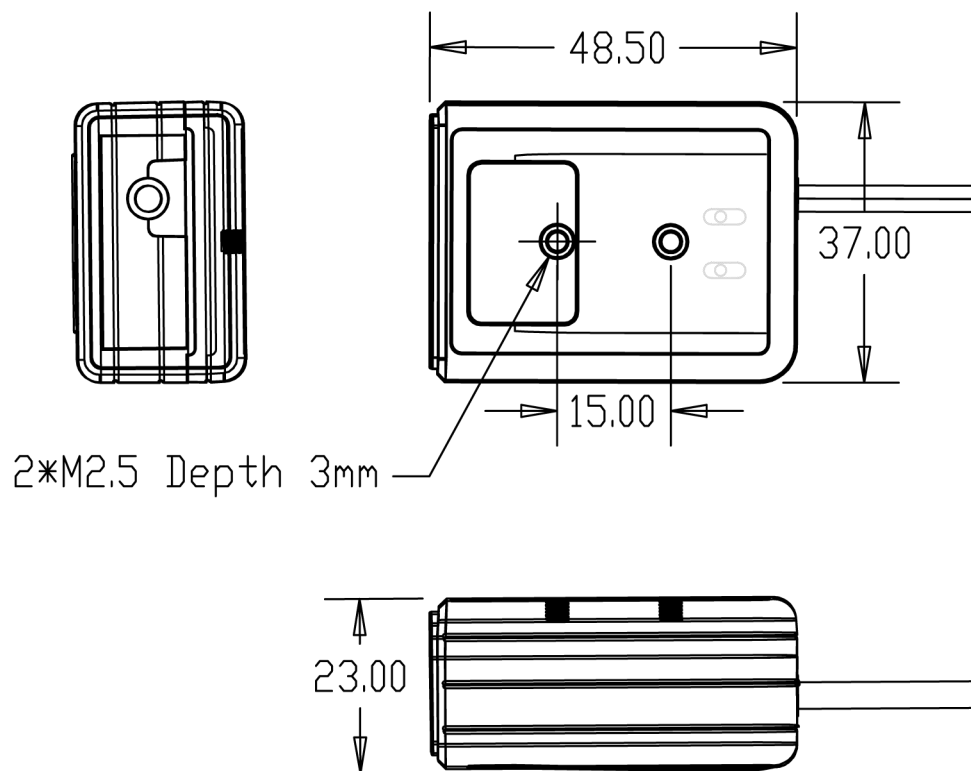
# F41-ER/Fixed Mount Barcode Scanner

<b>Performance</b>	Image Sensor		640H*480V	
	Illumination		White LED	
	Aiming		Laser Red 650nm	
	Symbologies	2D		PDF417, Data Matrix, QR Code, Micro QR Code
		1D		Code 128, EAN-13, EAN-8, Code 39, UPC-A, UPC-E, Codabar,
				Interleaved 2 of 5, ITF-6, ITF-14, ISBN, Code 93, UCC/EAN-128,
				GS1 Databar, Matrix 2 of 5, Code 11, Industrial 25, Standard 25, ISSN, Plessey, MSI-Plessey, AIM 128
	Scan Precision*		4mil (1D) / 8mil (2D)	
	Depth of View	EAN-13 (13mil)		105mm-650mm
		Code 39 (5mil)		120mm-250mm
		Code 128 (20mil)		~800mm
		Code 128 (40mil)		~1400mm
		QR Code 15mil)		80mm-240mm
	Scan Angle		Pitch: ±60°; Roll: 360°; Skew: ±60°	
Field Angle		Horizontal 27.6°, Vertical 20.9°		
Symbol Contrast*		≥20% (Code 128)		
<b>Mechanic/ Electrical</b>	Interface		USB, TTL232, RS232 (Optional)	
	Size(mm)		37.0(W)×48.5(D)×23.0(H) (Max)	
	Weight		88g	
	Operation Voltage		5.0 VDC±5%	
	Current	Operation		170mA
		Standby		5mA
<b>Environmental</b>	Operation Temperature		-20°C~+55°C	
	Storage Temperature		-40°C~+70°C	
	Operation Humidity		5%~95% (Non-condensing)	
	Illumination		0~100,000LUX	
<b>Certification</b>			FCC Part15 Class B, CE EMC Class B, RoHS2.0, IEC62471	

Testing distance=(minimum depth of field + maximum depth of field)/2; environment temperature=23°C; environment illumination=300 LUX white bulb LED, 2D: QR CODE; 10 Bytes; minimum width of barcode's empty space =15 mil; PCS=0.8;

\*Specification changes without previous notification

# Size



## Contact:

**Shenzhen Edoo-IoT Technology Co., Ltd.**

Tel: +86-135-3782-5290(WeChat)

Website: [www.edoo-iot.com](http://www.edoo-iot.com)

Add: Room 302, Bldg U6, U8 Intelligent Manufacturing Park, Hancheng Blvd, Gushu, Xixiang, Bao'an District, Shenzhen