



Fixed Mount Barcode Scanner F43-00

Feature

- **Infrared/light sensing dual trigger Mode**
When the scanned object approaches the scanning window, the scanner instantly starts and performs rapid reading
- **Automatic Exposure Control**
The sensor on the scanner can automatically adjust the brightness of the auxiliary light according to the intensity of the light reflected by the barcode.
- **IP54**
The Scanner is sealed to IP54 level to prevent dust, moisture, and other contaminant from entering it.
- **Excellent 1D/2D Barcode Reading Performance**
It can quickly read all kinds of 1D/2D barcodes and various amount of large data filmed on-screen barcode with self-developed core decoding technology
- **High Brightness Laser Cross Aiming**
The scanner adopts laser cross aiming mode, which can clearly aim to the barcode even in direct sunlight.
- **1.5m Drop Resistance**
The scanner withstands multiple 1.5m drops to concrete (for six sides, three drops per side).

Application Scenarios:

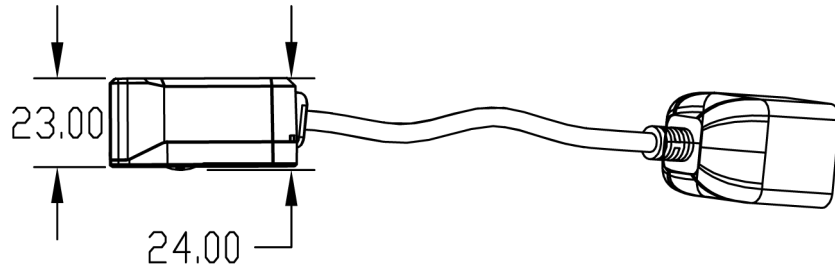
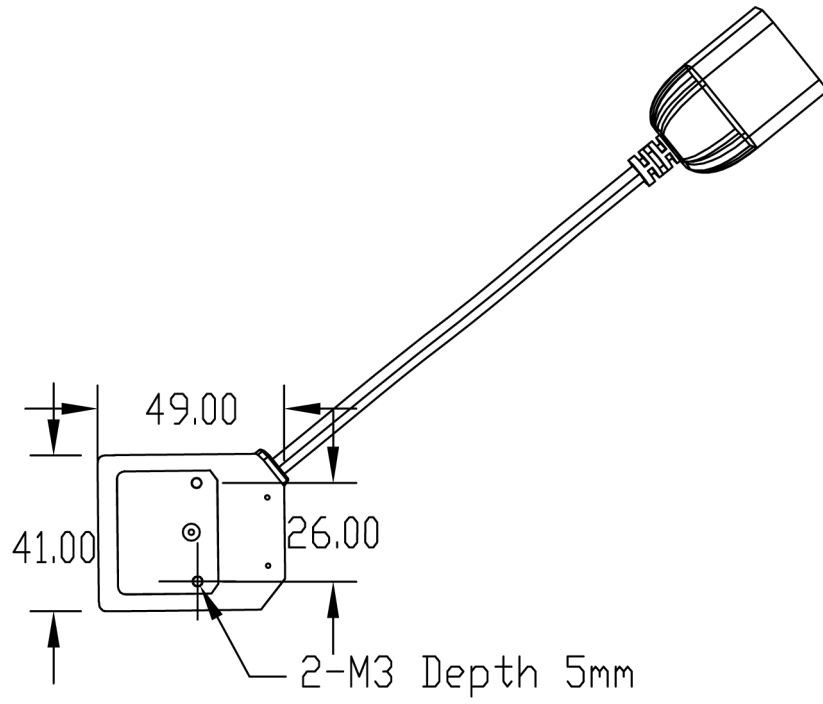
OCR Scan Device, AFC, Express Logistics Cabinet, Access Control and self-service terminals

F43-00/Fixed Mount Barcode Scanner

Performance	Image Sensor	1280*800 CMOS Sensor		
	Illumination	White LED		
	Aiming	Cross Laser		
	Symbologies	2D	PDF417, QR Code, Data Matrix, AZTEC, Hanxin Code, Maxicode, Micro QR, Micro PDF417, GM, Code One, etc.	
		1D	EAN-13, EAN-8, UPC-A, UPC-E, Code 128, Code 39, Codabar, UCC/EAN 128, RSS, ITF, ITF-14, ITF6, Standard 25, Matrix 25, COOP 25, Industrial 25, Plessey, MSI Plessey, Code 11, Code 93, Code 49, Code 16K, etc.	
	Read Precision*	≥3mil		
	Depth of Field*	EAN-13	55mm~350mm (13mil)	
		Code 39	55mm~145mm (5mil)	
		PDF 417	45mm~130mm (6.7mil)	
		Data Matrix	50mm~150mm (10mil)	
	Scan Mode	QR Code	45mm~190mm (15mil)	
		Sensing mode, Continuous mode, Trigger mode		
	Barcode Sensitivity**	Pitch	±50°	
		Tilt	360°	
		Skew	±55°	
Field of Angle	Horizontal 35°, Vertical 22°			
Symbol Contrast*	≥25%			
Mechanical/ Electrical	Communication Interface	RS-232, USB(Optional)		
	Size(mm)	41.5(W)×49.5(D)×24.5(H)		
	Weight	75g		
	Indicator	Beeper, Indicator light		
	Operation Voltage	5 VDC±5%		
	Current@5 VDC	Operation	257mA (Typical Value)	
		Standby	50mA	
Environmental	Operation Temperature	-20°C~+60°C	Relative Humidity 5%~95% (Non-condensing)	
	Storage Temperature	-40°C~+70°C	ESD +14 kV (Air Discharge) , ±8 kV (Direct Discharge)	
	Sealing	IP54	Drop 1.5M (3 times per 6 sides)	
Certification	FCC Part15 Class B, CE EMC Class B			
Accessories	Data Cable	USB	USB Cable to connect with the scanner and the host	
		RS-232	RS-232 to connect with the scanner and the host	
	Power Adaptor	5V Power Adaptor, power on with RS-232 cable		

Specification changes without previous notification.

Size



Contact:
Shenzhen Edoo-IoT Technology Co., Ltd.

Tel: +86-135-3782-5290(WeChat)
Website: www.edoo-iot.com
Add: Room 302, Bldg U6, U8 Intelligent Manufacturing Park, Hancheng Blvd, Gushu, Xixiang, Bao'an District, Shenzhen